

ORDERING REPLACEMENT PARTS

If you encounter any difficulties with this product, or if you need to order replacement parts, call the ICON Health & Fitness, Ltd. office, or write:

ICON Health & Fitness, Ltd.
Unit 4
Revie Road Industrial Estate
Revie Road
Beeston
Leeds, LS118JG
UK

Tel:

08457-089009

Outside the UK: 0 (044) 113 387 7133
Fax: 0 (044) 113 387 7125

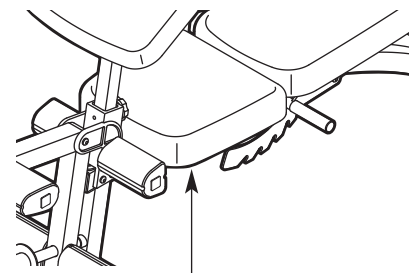
1. the MODEL NUMBER of the product (PFEVBE3805.0)
2. the NAME of the product (PROFORM G800 weight bench)
3. the SERIAL NUMBER of the product (see the front cover of this manual)
4. the KEY NUMBER and DESCRIPTION of the part(s) (see the PART LIST and EXPLODED DRAWING in the centre of this manual)

PRO-FORM[®] G800

USER'S MANUAL

Model No. PFEVBE3805.0
Serial No. _____

Write the serial number in the space above for reference.



Serial Number Decal (under seat)

QUESTIONS?

As a manufacturer, we are committed to providing complete customer satisfaction. If you have questions, or if there are missing or damaged parts,

please call:

08457 089 009

Or write:
ICON Health & Fitness, Ltd.
Unit 4
Revie Road Industrial Estate
Revie Road
Beeston
Leeds, LS118JG
UK

email: csuk@iconeurope.com

⚠ CAUTION

Read all precautions and instructions in this manual before using this equipment. Save this manual for future reference.

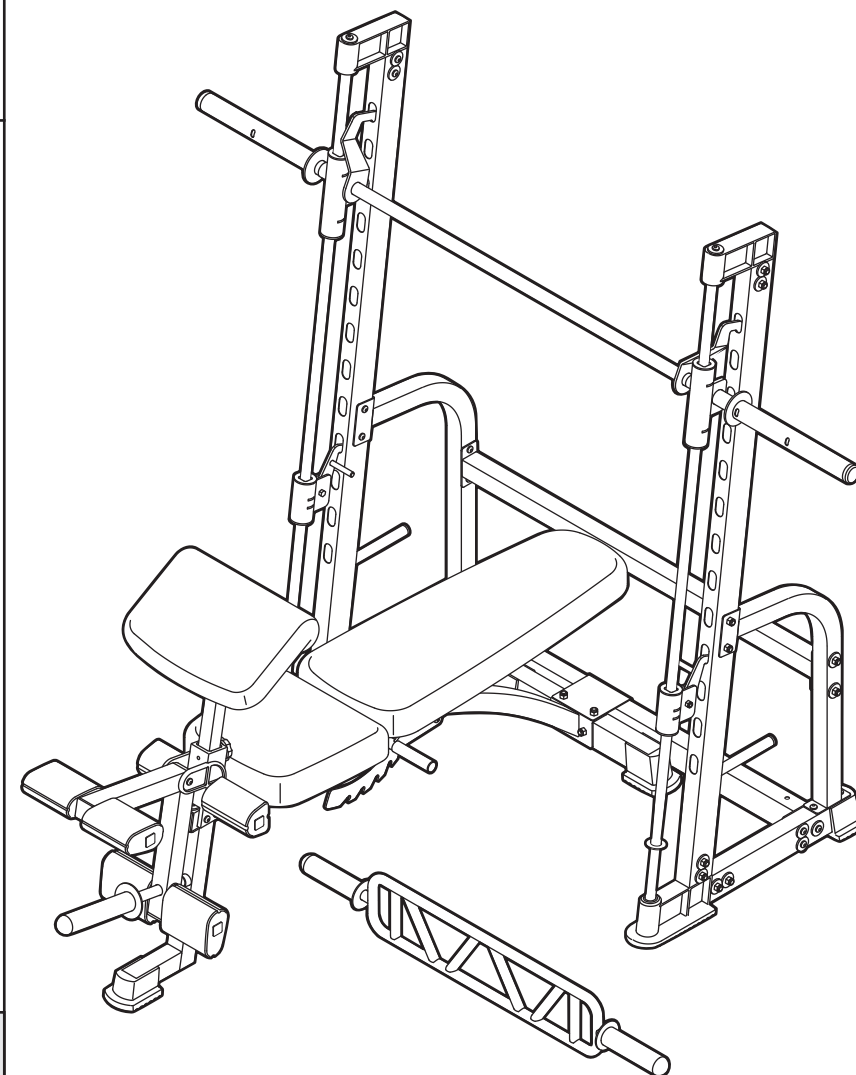
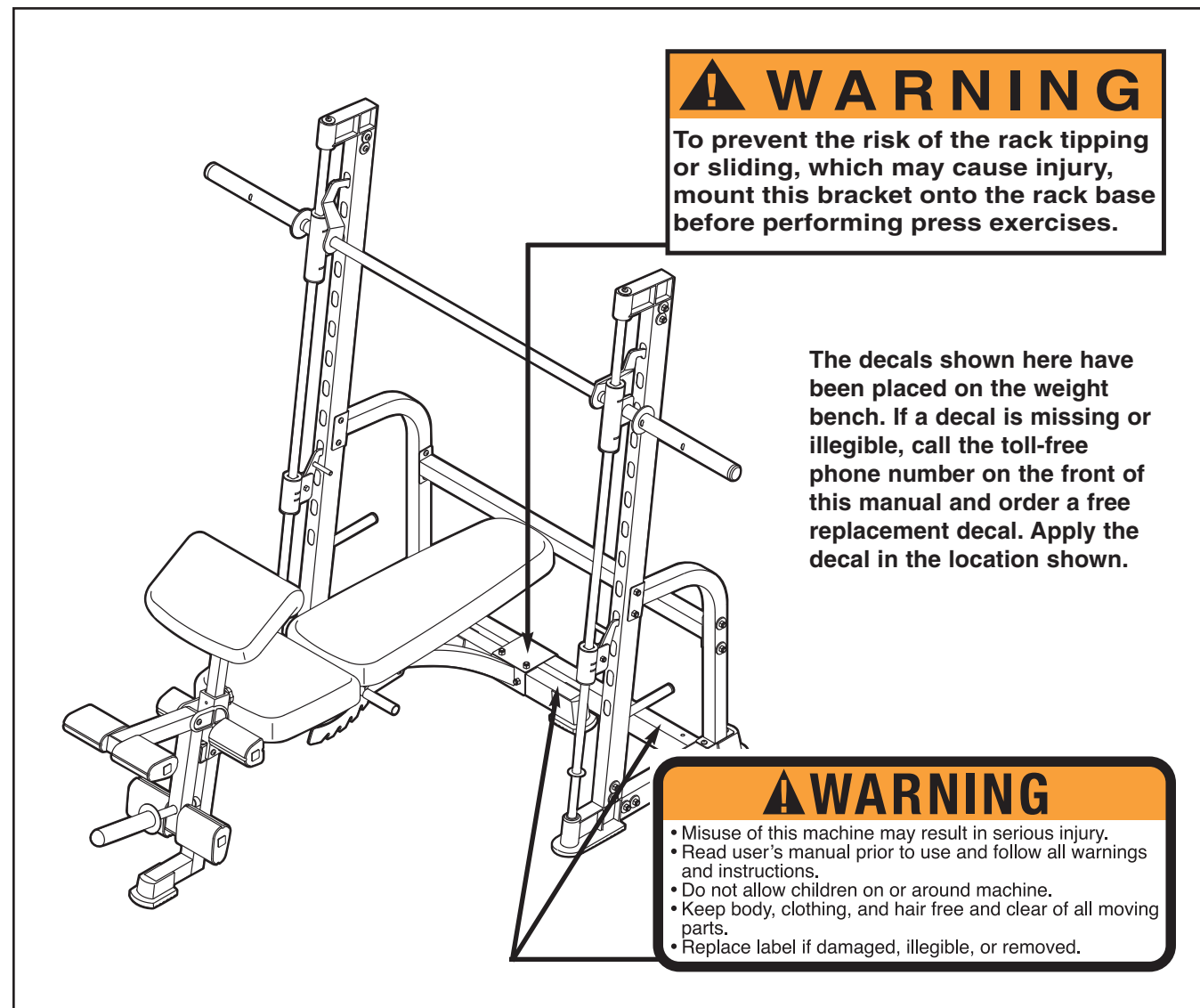


TABLE OF CONTENTS

WARNING DECAL PLACEMENT 2
 IMPORTANT PRECAUTIONS 3
 BEFORE YOU BEGIN 4
 ASSEMBLY 5
 ADJUSTMENTS 12
 EXERCISE GUIDELINES 15
 ORDERING REPLACEMENT PARTS Back Cover

Note: A PART IDENTIFICATION CHART and a PART LIST/EXPLODED DRAWING is attached in the center of this manual. Remove the PART IDENTIFICATION CHART and PART LIST/EXPLODED DRAWING before beginning assembly.

WARNING DECAL PLACEMENT



MONDAY	EXERCISE	WEIGHT	SETS	REPS
Date: / /				

TUESDAY AEROBIC EXERCISE

Date: / /

WEDNESDAY	EXERCISE	WEIGHT	SETS	REPS
Date: / /				

THURSDAY AEROBIC EXERCISE

Date: / /

FRIDAY	EXERCISE	WEIGHT	SETS	REPS
Date: / /				

Make photocopies of this page for scheduling and recording your workouts.

MONDAY	EXERCISE	WEIGHT	SETS	REPS
Date: / /				

TUESDAY AEROBIC EXERCISE

Date: / /

WEDNESDAY	EXERCISE	WEIGHT	SETS	REPS
Date: / /				

THURSDAY AEROBIC EXERCISE

Date: / /

FRIDAY	EXERCISE	WEIGHT	SETS	REPS
Date: / /				

Make photocopies of this page for scheduling and recording your workouts.

IMPORTANT PRECAUTIONS

⚠ WARNING: To reduce the risk of serious injury, read the following important precautions before using the weight bench.

1. Read all instructions in this manual and all warnings on the weight bench before using the weight bench. Use the weight bench only as described in this manual.
2. It is the responsibility of the owner to ensure that all users of the weight bench are adequately informed of all precautions.
3. The weight bench is intended for home use only. Do not use the weight bench in any commercial, rental, or institutional setting.
4. Keep the weight bench indoors, away from moisture and dust. Place the weight bench on a level surface, with a mat beneath it to protect the floor or carpet. Make sure that there is enough clearance around the weight bench to mount, dismount, and use the weight bench.
5. Inspect and properly tighten all parts regularly. Replace any worn parts immediately.
6. Keep children under 12 and pets away from the weight bench at all times.
7. Keep hands and feet away from moving parts.
8. Always wear athletic shoes for foot protection while exercising.
9. Use the curl bar only with the weight clips provided with the bench.
10. Always set both barbell guides and both safety spotters at the same height.
11. Make sure that the set screws attaching the Olympic weight adapters are properly tightened each time the adapters are used.
12. The weight bench is designed to support a maximum user weight of 136 kg (300 lbs.) and a maximum total weight of 276 kg (610 lbs.). Do not place more than 140 kg (310 lbs.) on the barbell or safety spotters. Do not place more than 68 kg (150 lbs.) on the leg lever or curl bar. Note: The weight bench does not include weights.
13. Always place an equal amount of weight on each side of the barbell.
14. Always secure the weights with the weight clips when they are mounted on the barbell.
15. Always make sure the backrest bracket is fully engaged before using the backrest.
16. Always mount the "L"-bracket onto the center base before performing press exercises.
17. Always move your bench out of the way when performing an exercise that does not use the bench.
18. If you feel pain or dizziness at any time while exercising, stop immediately and begin cooling down.

⚠ WARNING: Before beginning this or any exercise program, consult your physician. This is especially important for persons over the age of 35 or persons with pre-existing health problems. Read all instructions before using. Sears assumes no responsibility for personal injury or property damage sustained by or through the use of this product.

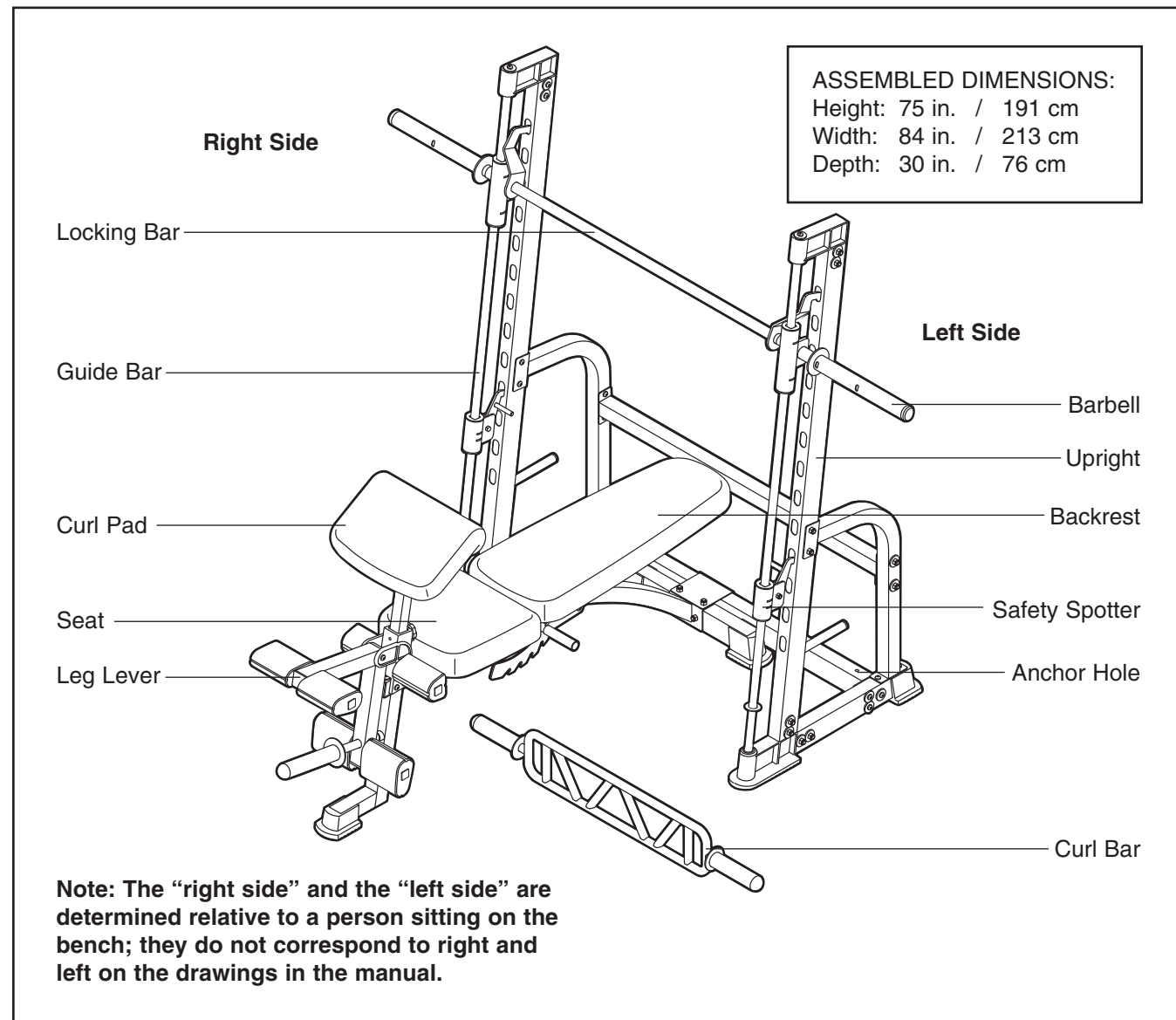
BEFORE YOU BEGIN

Thank you for selecting the versatile PROFORM® G800 weight bench. The weight bench offers an impressive array of weight stations designed to develop every major muscle group of the body. Whether your goal is to tone your body, build dramatic muscle size and strength, or improve your cardiovascular system, the weight bench will help you to achieve the specific results you want.

For your benefit, read this manual carefully before using the weight bench. If you have questions after

reading this manual, see the front cover of this manual. To help us assist you, please note the product model number and serial number before calling. The model number is PFEVBE3805.0. The serial number can be found on a decal attached to the weight bench (see the front cover of this manual).

Before reading further, please review the drawing below and familiarize yourself with the parts that are labeled.



MONDAY	EXERCISE	WEIGHT	SETS	REPS
Date: / /				

TUESDAY	AEROBIC EXERCISE			
Date: / /				

WEDNESDAY	EXERCISE	WEIGHT	SETS	REPS
Date: / /				

THURSDAY	AEROBIC EXERCISE			
Date: / /				

FRIDAY	EXERCISE	WEIGHT	SETS	REPS
Date: / /				

Make photocopies of this page for scheduling and recording your workouts.

Rest for a short period of time after each set. The ideal resting periods are:

- Rest for three minutes after each set for a muscle building workout.
- Rest for one minute after each set for a toning workout.
- Rest for 30 seconds after each set for a weight loss workout.

Plan to spend the first couple of weeks familiarizing yourself with the equipment and learning the proper form for each exercise.

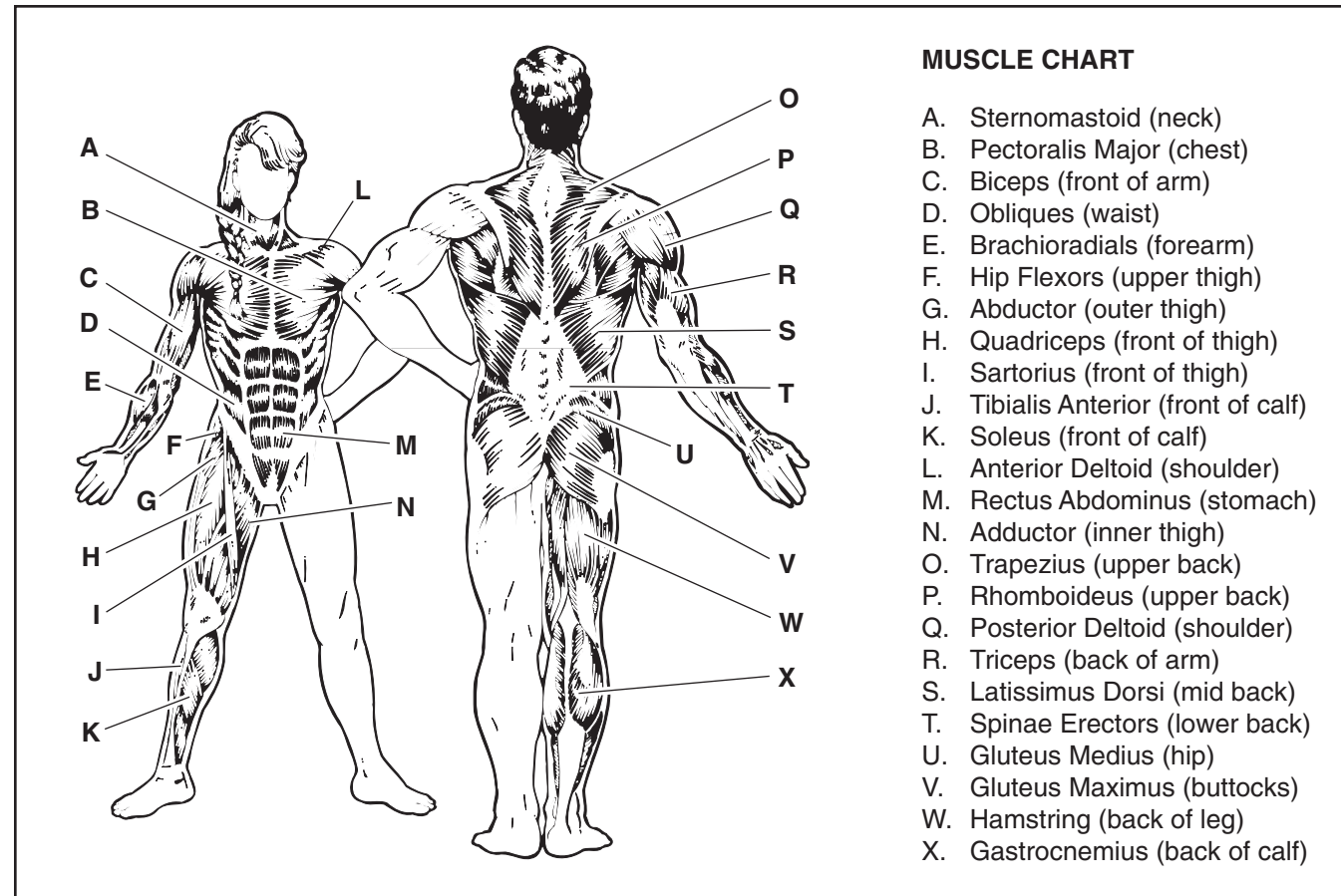
COOLING DOWN

End each workout with 5 to 10 minutes of stretching. Include stretches for both your arms and legs. Move

slowly as you stretch and do not bounce. Ease into each stretch gradually and go only as far as you can without strain. Stretching at the end of each workout is an effective way to increase flexibility.

STAYING MOTIVATED

For motivation, keep a record of each workout. The chart on pages 17–19 of this manual can be photocopied and used to schedule and record your workouts. List the date, the exercises performed, the resistance used, and the numbers of sets and repetitions completed. Record your weight and key body measurements at the end of every month. Remember, the key to achieving the greatest results is to make exercise a regular and enjoyable part of your everyday life.



ASSEMBLY

Make Things Easier for Yourself



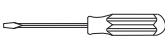

This manual is designed to ensure that the weight bench can be assembled successfully by anyone. Most people find that by setting aside plenty of time, assembly will go smoothly.

Before beginning assembly, carefully read the following information and instructions:

- Assembly requires two people.
- **For help identifying small parts, use the PART IDENTIFICATION CHART.**
- Tighten all parts as you assemble them, unless instructed to do otherwise.
- As you assemble the weight bench, make sure all parts are oriented as shown in the drawings.

- Place all parts in a cleared area and remove the packing materials. Do not dispose of the packing materials until assembly is completed.

The included grease, and the following tools (not included) may be required for assembly:

- Two adjustable wrenches 
- One rubber mallet 
- One standard screwdriver 
- One Phillips screwdriver 
- Clear tape or masking tape, and soapy water.

Assembly will be more convenient if you have a socket set, a set of open-end or closed-end wrenches, or a set of ratchet wrenches.

1. **Before beginning, make sure you understand the information in the box above. Note: Some parts described in the assembly steps may be pre-assembled.**

Attach a Base Cap (9) to the Stabilizer (2) with an M4 x 16mm Screw (58) and an M10 x 25mm Button Screw (78). **Attach another Base Cap to the Stabilizer in the same manner.**

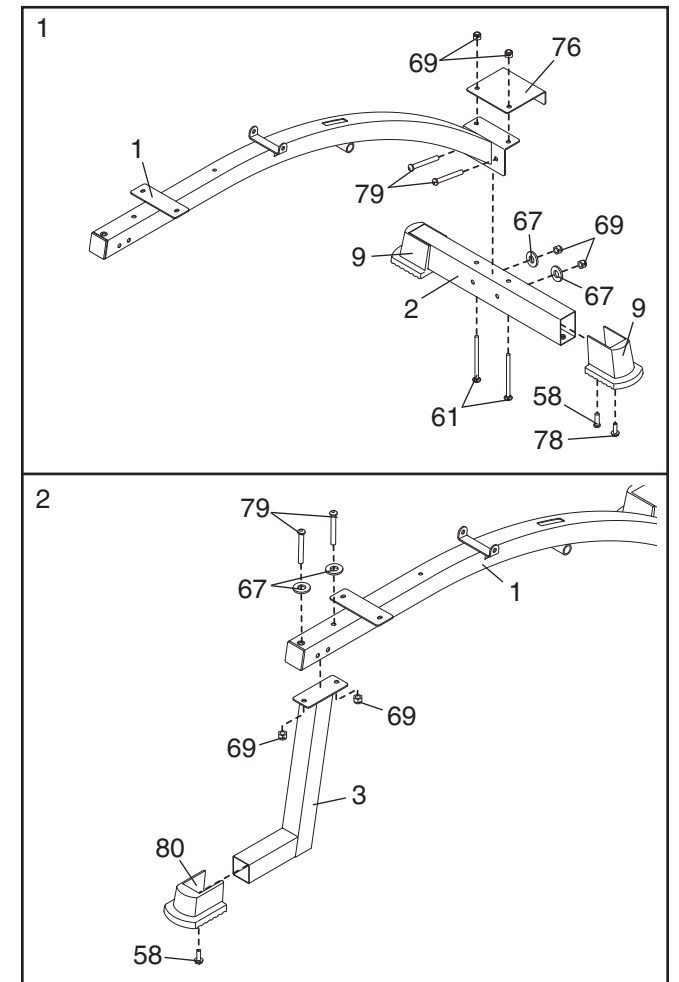
Attach the Stabilizer (2) to the Bench Frame (1) with two M10 x 68mm Button Bolts (79), two M10 Washers (67), and two M10 Nylon Locknuts (69). **Do not tighten the Locknuts yet.**

Attach the Stabilizer (2) and the "L"-bracket (76) to the Bench Frame (1) with two M10 x 95mm Carriage Bolts (61) and two M10 Nylon Locknuts (69). **Do not tighten the Locknuts yet.**

2. Attach the Small Base Cap (80) to the Bench Leg (3) with an M4 x 16mm Screw (58).

Attach the Bench Leg (3) to the Bench Frame (1) with two M10 x 68mm Button Bolts (79), two M10 Washers (67), and two M10 Nylon Locknuts (69).

Tighten the M10 Nylon Locknuts (69) used in step 1.



- Attach the Leg Lever Bracket (7) to the Bench Frame (1) with two M10 x 68mm Button Bolts (79) and two M10 Nylon Locknuts (69).

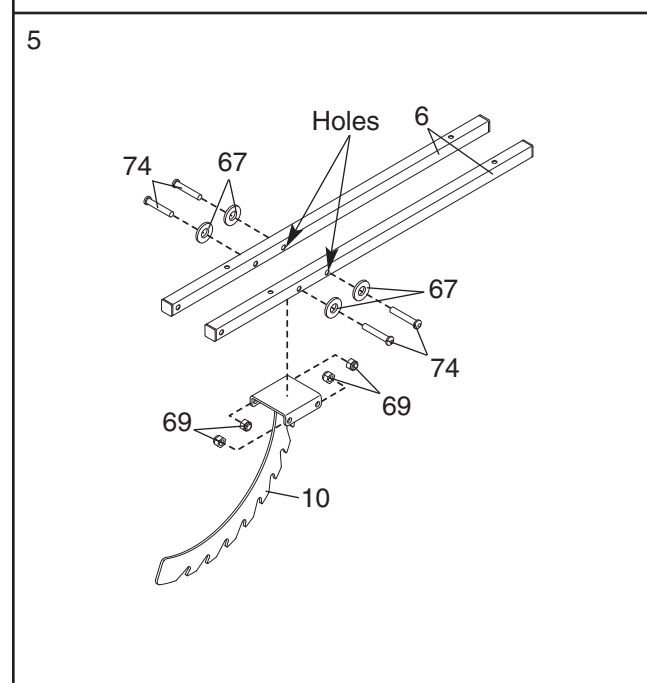
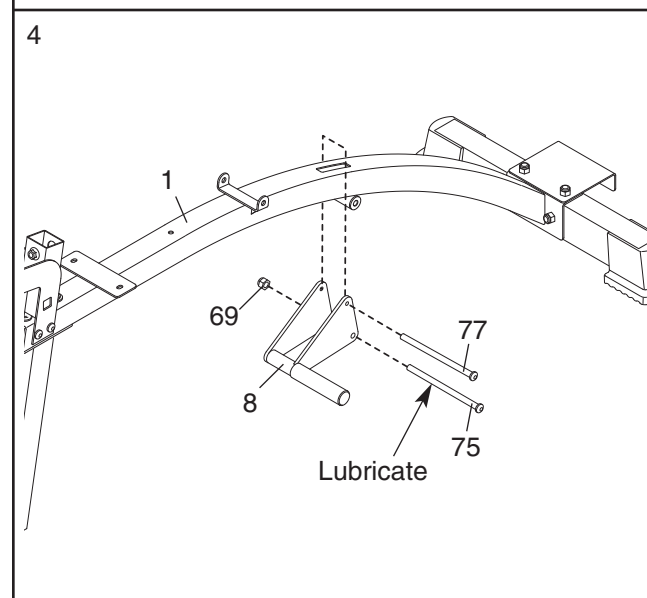
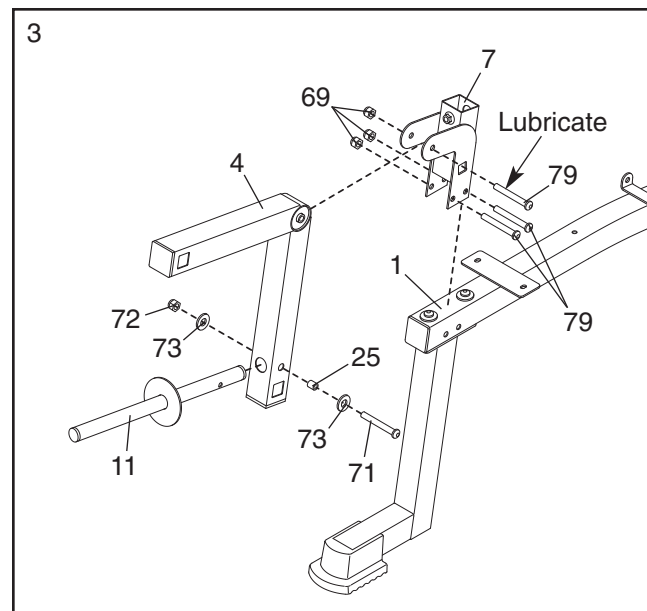
Attach the Weight Tube (11) to the Leg Lever (4) with an M8 x 58mm Button Bolt (71), two M8 Washers (73), a 10mm Spacer (25), and an M8 Nylon Locknut (72).

Lubricate the indicated M10 x 68mm Button Bolt (79) with grease. Attach the Leg Lever (4) to the Leg Lever Bracket (7) with the Bolt and an M10 Nylon Locknut (69). **Do not overtighten the Locknut; the Leg Lever must be able to pivot easily.**

- Lubricate an M10 x 78mm Button Bolt (75) with grease. Attach the lower hole in the Adjustment Lever (8) to the Bench Frame (1) with the Bolt and an M10 Nylon Locknut (69). **Do not overtighten the Locknut; the Adjustment Lever must be able to pivot easily.**

Hold the handle on the Adjustment Lever (8) so that the upper hole is above the Bench Frame (1). Slide the M10 x 62mm Flat Head Screw (77) through the indicated side of the Lever, over the Bench Frame, and tighten it into the other side of the Adjustment Lever. **Make sure that the threads of the Screw show through the Adjustment Lever. Do not overtighten the Screw.**

- Attach the Backrest Bracket (10) to the Backrest Tubes (6) with four M10 x 45mm Button Bolts (74), four M10 Washers (67), and four M10 Nylon Locknuts (69). **Make sure the Backrest Tubes are oriented so that the indicated holes are closer to the bottom. Do not tighten the Locknuts yet.**



EXERCISE GUIDELINES

THE FOUR BASIC TYPES OF WORKOUTS

MUSCLE BUILDING

To increase the size and strength of your muscles, push them close to their maximum capacity. Your muscles will adapt and grow as you progressively increase the intensity of your exercise. You can adjust the intensity level of an individual exercise in two ways:

- by changing the amount of weight used
- by changing the number of repetitions or sets performed. (A "repetition" is one complete cycle of an exercise, such as one sit-up. A "set" is a series of repetitions.)

The proper amount of weight for each exercise depends upon the individual user. You must gauge your limits and select the amount of weight that is right for you. Begin with 3 sets of 8 repetitions for each exercise you perform. Rest for 3 minutes after each set. When you can complete 3 sets of 12 repetitions without difficulty, increase the amount of weight.

TONING

You can tone your muscles by pushing them to a moderate percentage of their capacity. Select a moderate amount of weight and increase the number of repetitions in each set. Complete as many sets of 15 to 20 repetitions as possible without discomfort. Rest for 1 minute after each set. Work your muscles by completing more sets rather than by using high amounts of weight.

WEIGHT LOSS

To lose weight, use a low amount of weight and increase the number of repetitions in each set. Exercise for 20 to 30 minutes, resting for a maximum of 30 seconds between sets.

CROSS TRAINING

Cross training is an efficient way to get a complete and well-balanced fitness program. An example of a balanced program is:

- Plan strength training workouts on Monday, Wednesday, and Friday.
- Plan 20 to 30 minutes of aerobic exercise, such as running on a treadmill or riding on an elliptical or exercise bike, on Tuesday and Thursday.
- Rest from both strength training and aerobic exercise for at least one full day each week to give your body time to regenerate.

The combination of strength training and aerobic exercise will reshape and strengthen your body, plus develop your heart and lungs.

PERSONALIZING YOUR EXERCISE PROGRAM

Determining the exact length of time for each workout, as well as the number of repetitions or sets completed, is an individual matter. It is important to avoid overdoing it during the first few months of your exercise program. You should progress at your own pace and be sensitive to your body's signals. If you experience pain or dizziness at any time while exercising, stop immediately and begin cooling down. Find out what is wrong before continuing. Remember that adequate rest and a proper diet are important factors in any exercise program.

WARMING UP

Begin each workout with 5 to 10 minutes of stretching and light exercise to warm up. Warming up prepares your body for more strenuous exercise by increasing circulation, raising your body temperature and delivering more oxygen to your muscles.

WORKING OUT

Each workout should include 6 to 10 different exercises. Select exercises for every major muscle group, emphasizing areas that you want to develop most. To give balance and variety to your workouts, vary the exercises from session to session.

Schedule your workouts for the time of day when your energy level is the highest. Each workout should be followed by at least one day of rest. Once you find the schedule that is right for you, stick with it.

EXERCISE FORM

Maintaining proper form is an essential part of an effective exercise program. This requires moving through the full range of motion for each exercise, and moving only the appropriate parts of the body. Exercising in an uncontrolled manner will leave you feeling exhausted. On the exercise guide accompanying this manual you will find photographs showing the correct form for several exercises, and a list of the muscles affected. Refer to the muscle chart on the next page to find the names of the muscles.

The repetitions in each set should be performed smoothly and without pausing. The exertion stage of each repetition should last about half as long as the return stage. Proper breathing is important. Exhale during the exertion stage of each repetition and inhale during the return stroke. Never hold your breath.

ATTACHING WEIGHTS TO THE BARBELL OR THE WEIGHT CARRIAGE

To use the barbell, slide the desired amount of weight (not included) onto the Barbell Adapters (41). Secure the weights with the Large Weight Clips (84).

⚠ WARNING: Do not place more than 140 kg (310 lbs.) on the barbell. Always place the same amount of weight on each side of the barbell. Always secure weights with the Large Weight Clips (84).

Your weights can be stored on the tubes on the Uprights (31 [not shown], 62) (see the inset drawing).

USING THE LOCKING BAR

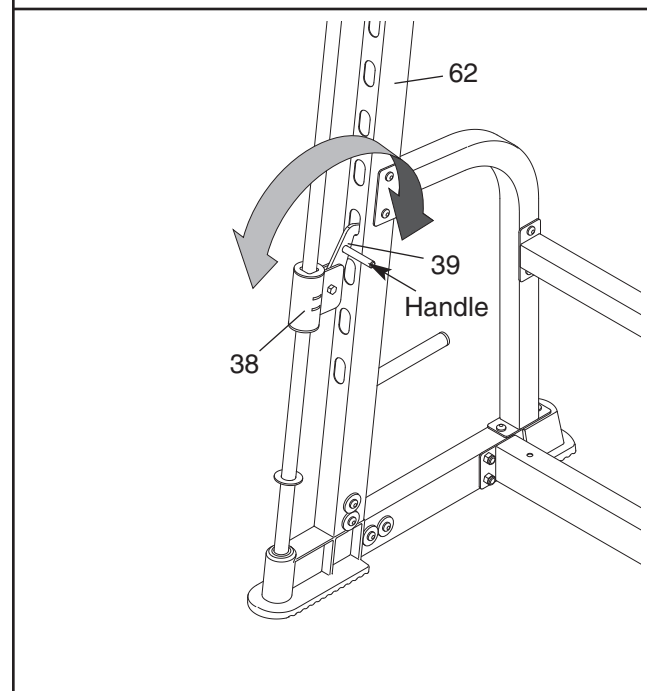
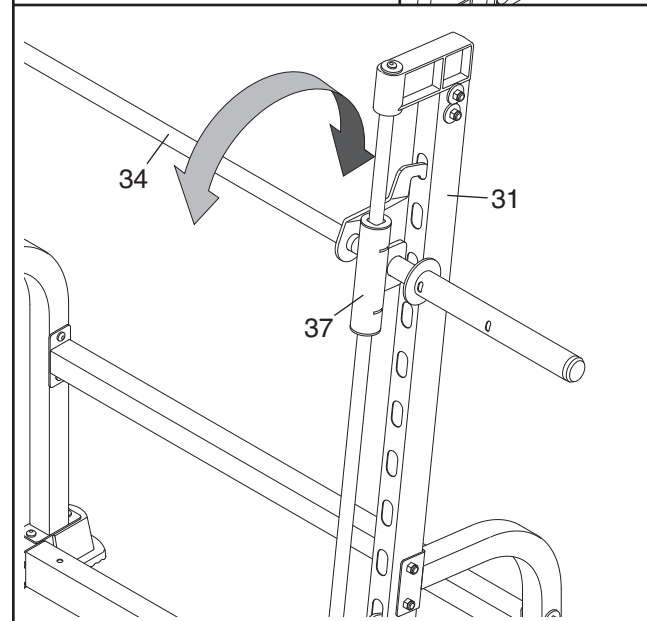
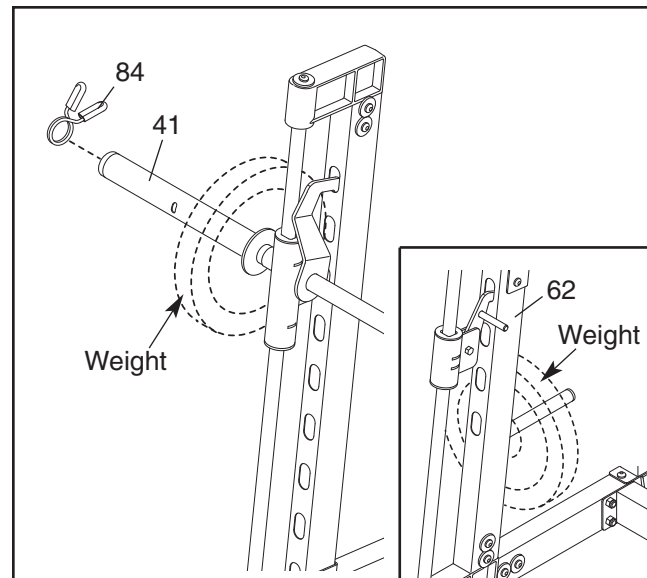
Before starting an exercise, position the Locking Bar (34) and the Safety Spotters (not shown) in the correct position for the exercise.

To do this, stand in front of the rack and grip the Locking Bar (34) with both hands. Turn the Locking Bar until the two hooks disengage the slots in the Uprights (31, 62 [not shown]). Raise or lower the Locking Bar to a new position and turn it until the hooks engage the slots in the Uprights.

USING THE SAFETY SPOTTERS

To move the Safety Spotters (38) to a new position, grip the handles on the Spotter Hooks (39, 40 [not shown]) and pull the hooks out of the slots in the Uprights (31 [not shown], 62). Raise or lower the Safety Spotters to new positions and pivot the hooks back into the slots in the Uprights. **Note: Always position the Safety Spotters at the lowest point to which you want the barbell to move during the exercise.**

⚠ WARNING: Always set both Safety Spotters (38) at the same height.



6. Insert the Backrest Bracket (10) through the slot in the Bench Frame (1) and under the Adjustment Lever (8). **Make sure that the M10 x 62mm Flat Head Screw (77) is under the Backrest Bracket arm.**

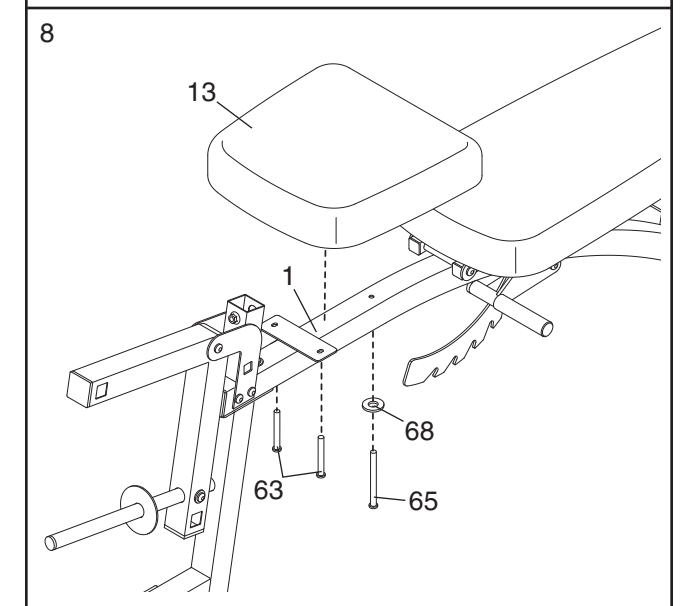
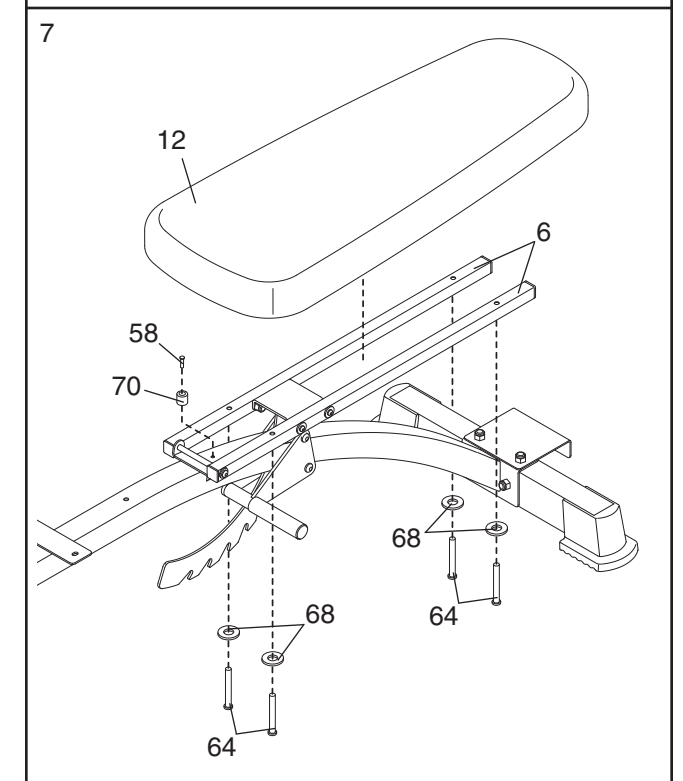
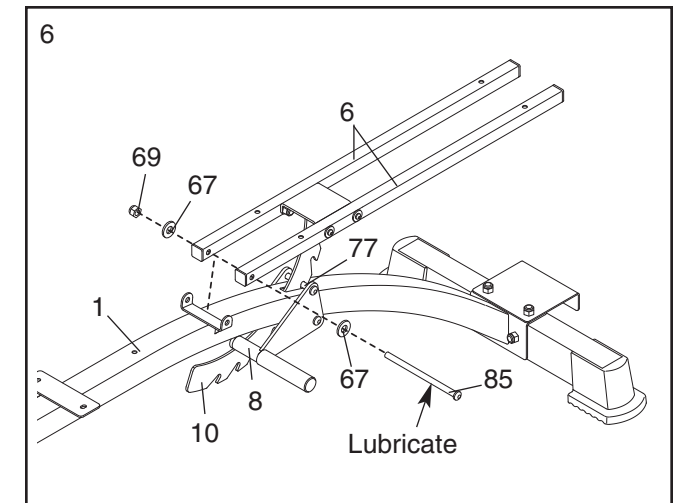
Lubricate an M10 x 168mm Button Bolt (85) with grease. Attach the Backrest Tubes (6) to the Bench Frame (1) with the Bolt, two M10 Washers (67), and an M10 Nylon Locknut (69). **Do not overtighten the Locknut; the Backrest Tubes must be able to pivot easily.**

7. Attach the Bumper (70) to the Bench Frame (1) with an M4 x 16mm Screw (58).

Attach the Backrest (12) to the Backrest Tubes (6) with four M6 x 38mm Screws (64) and four M6 Washers (68).

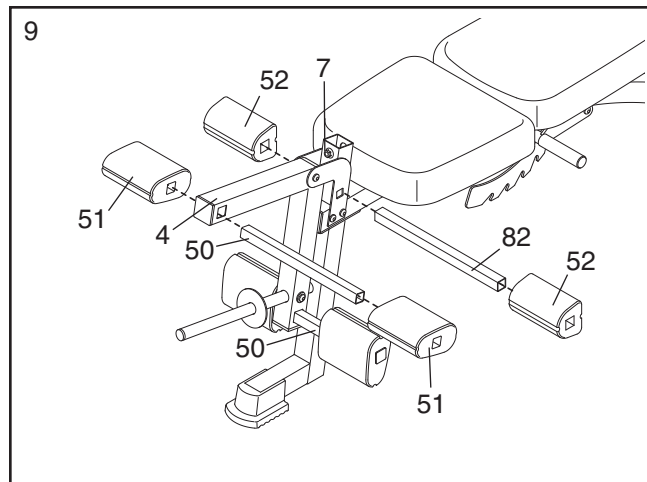
Tighten the four M10 Nylon Locknuts (69) used in step 5.

8. Attach the Seat (13) to the Bench Frame (1) with an M6 x 63mm Screw (65), an M6 Washer (68), and two M6 x 16mm Screws (63).

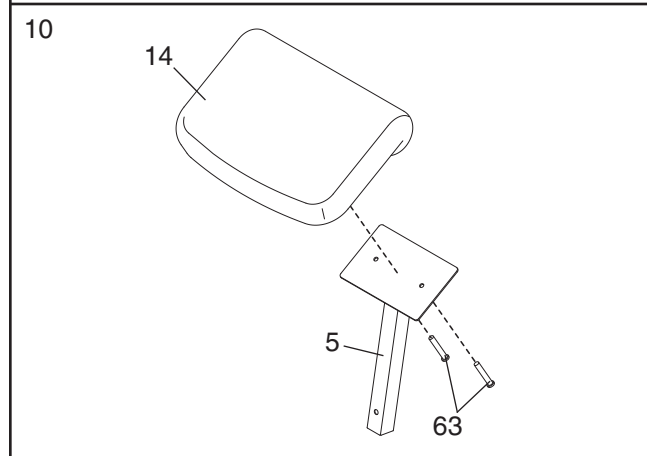


9. Slide a Pad Tube (50) into a hole in the Leg Lever (4). Wet both sides of the Pad Tube with soapy water. Slide two Large Foam Pads (51) onto the Pad Tube as shown. **Repeat with the other Pad Tube and the Leg Lever.**

Slide the Long Pad Tube (82) into the hole in the Leg Lever Bracket (7). Wet both sides of the Pad Tube with soapy water. Slide two Small Foam Pads (52) onto the Tube as shown.



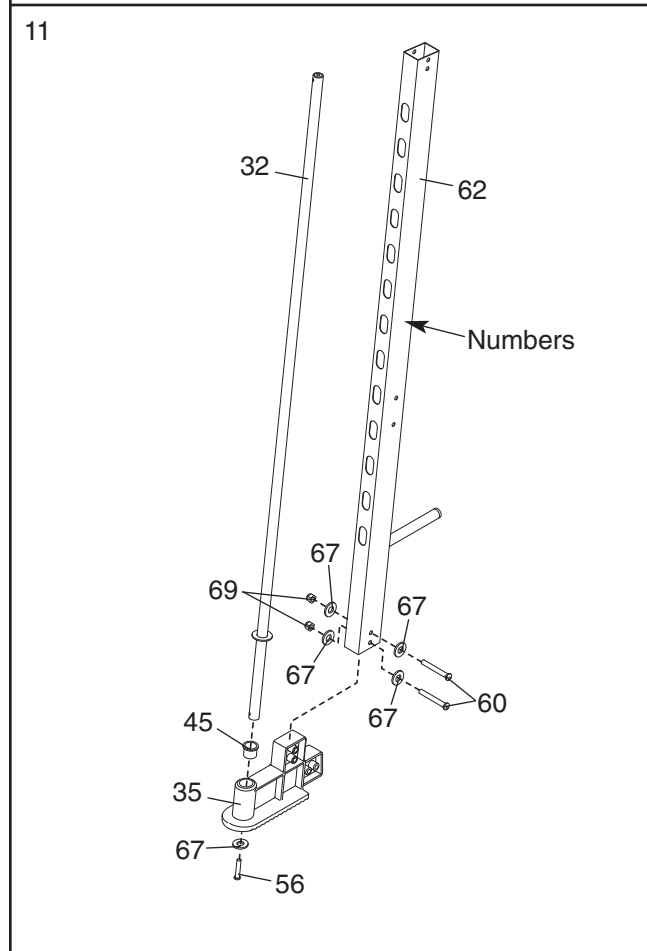
10. Attach the Curl Pad (14) to the Curl Post (5) with two M6 x 16mm Screws (63).



11. Press a Round Angled Bushing (45) into a Rack Foot (35). Attach a Guide Bar (32) to the Rack Foot with an M10 x 30mm Button Screw (56) and an M10 Washer (67). **Tighten the Screw.**

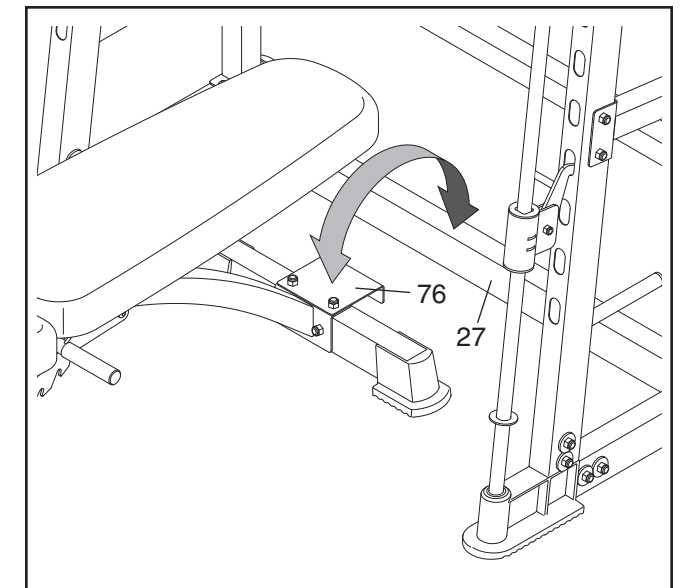
Use a rubber mallet and tap the Right Upright (62), which has numbers on the indicated side, onto the Rack Foot (35). Attach the Right Upright to the Rack Foot with two M10 x 65mm Button Bolts (60), four M10 Washers (67), and two M10 Nylon Locknuts (69). **Make sure the Bolts are inserted from the side shown. Do not tighten the Locknuts yet.**

Repeat this step with the Left Upright (31 [not shown]), Guide Bar (32), and Rack Foot (35). Insert the M10 x 65mm Button Bolts (60) from the side of the Upright with the numbers.



USING THE BENCH FOR PRESS EXERCISES

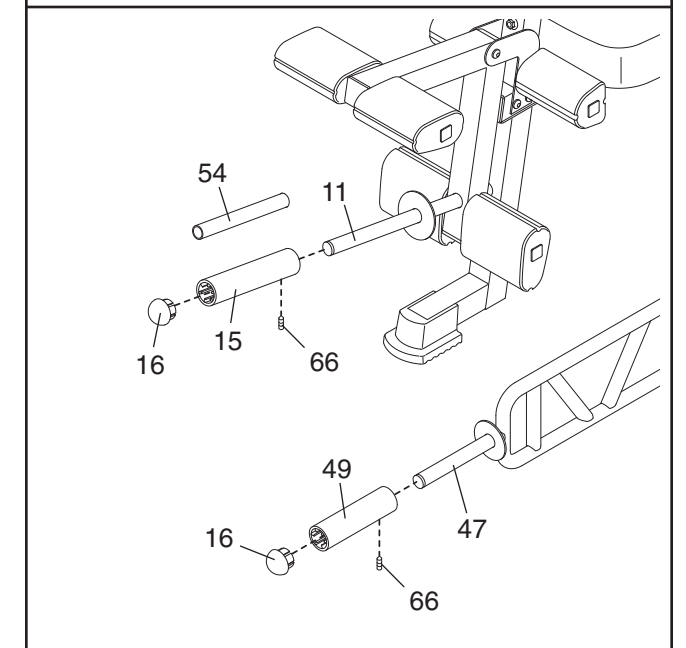
To prevent the weight rack from tipping while performing press exercises on the bench, set the "L"-bracket (76) over the Center Base (27).



USING THE WEIGHT ADAPTERS

To use some weights (not included) the Tube Sleeve (54) should be slid onto the Weight Tube (11).

Press a 48mm Round Inner Cap (16) into the Olympic Adapter (15). Attach the Olympic Adapter to the Weight Tube (11) with a 1/4" x 9.5mm Allen Head Set Screw (66). **Make sure that the Set Screw is in the bottom of the Adapter.**



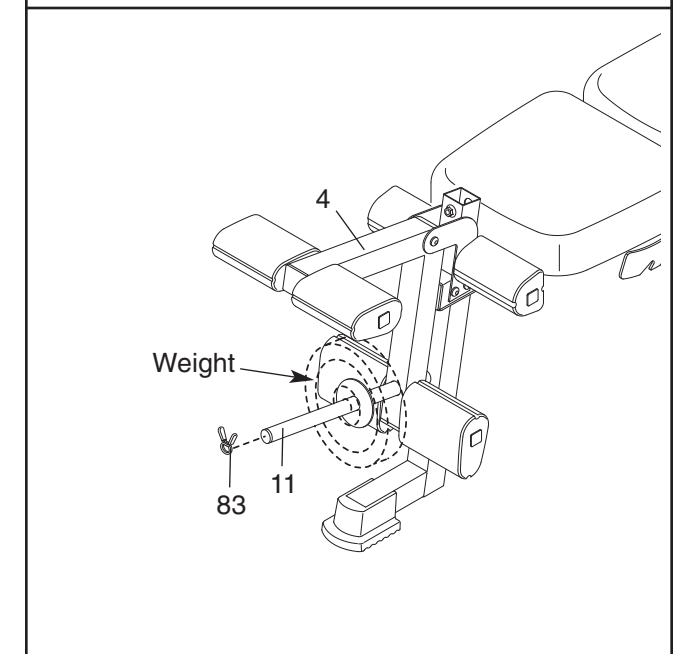
Press a 48mm Round Inner Cap (16) into a Weight Adapter (49). Attach the Weight Adapter to the Curl Bar (47) with a 1/4" x 9.5mm Allen Head Set Screw (66). **Make sure that the Set Screw is in the bottom of the Adapter. Attach the other Weight Adapter to the Curl Bar in the same manner.**

ATTACHING WEIGHTS TO THE LEG LEVER

To use the Leg Lever (4), slide the desired weights (not included) onto the Weight Tube (11). Secure the weights with a Weight Clip (83 or 84 [not shown]).

Weights can be added to the Curl Bar (not shown) in the same manner. Secure the weights to the Curl Bar with two Weight Clips (83 or 84 [not shown]).

⚠ WARNING: Do not place more than 68kg (150 lbs.) on the Weight Tube (11) or the Curl Bar (47).



ADJUSTMENTS

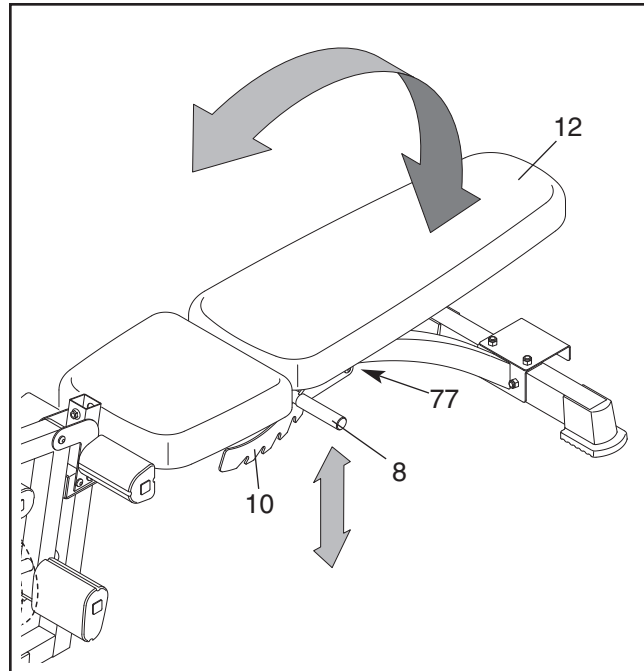
This section explains how to adjust the weight bench. See the EXERCISE GUIDELINES on page 15 for important information about how to get the most benefit from your exercise program. Also, refer to the accompanying exercise guide to see the correct form for each exercise.

Make sure all parts are properly tightened each time the weight bench is used. Replace any worn parts immediately. The weight bench can be cleaned with a damp cloth and a mild, non-abrasive detergent. Do not use solvents.

ADJUSTING THE BACKREST

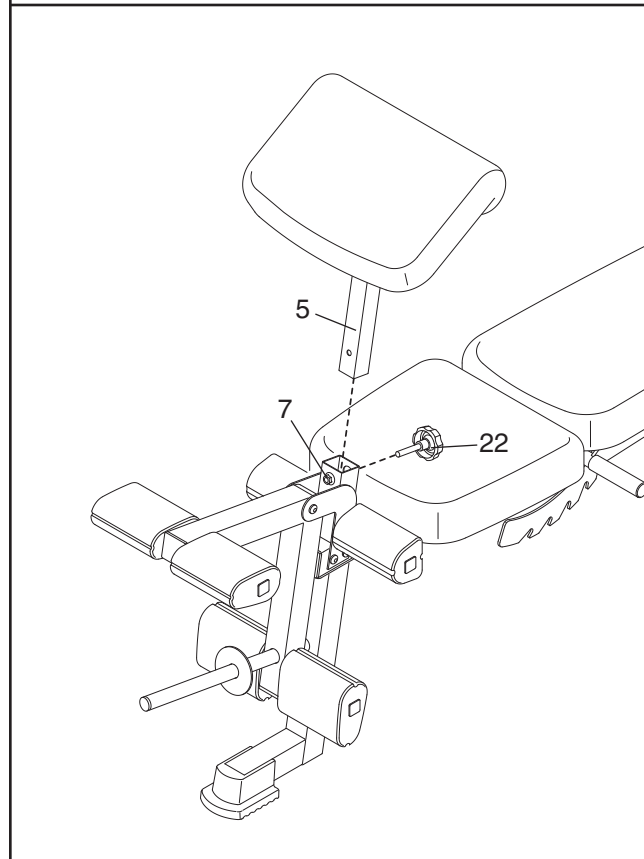
To adjust the position of the Backrest (12), hold the upper end of the Backrest with one hand and lift the Adjustment Lever (8) with the other hand, disengaging the Backrest Bracket (10). Raise or lower the Backrest to the desired position. Lower the Adjustment Lever so that the M10 x 62mm Flat Head Screw (77 [not shown]) engages one of the notches in the Backrest Bracket.

⚠WARNING: Always hold the Backrest (12) securely before disengaging the Backrest Bracket (10). Always make sure the Backrest Bracket is fully engaged before using the Backrest.



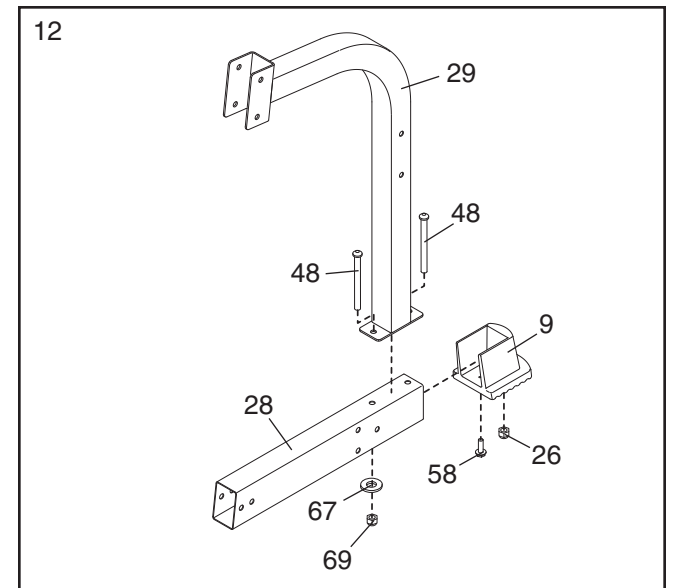
ATTACHING THE CURL POST

For some exercises, the Curl Post (5) must be attached to the weight bench. Slide the Curl Post into the Leg Lever Bracket (7). Align the adjustment holes in the Curl Post with the adjustment hole in the Leg Lever Bracket. Tighten the Curl Knob (22) into the adjustment hole in the Leg Lever Bracket. **Fully tighten the Knob.**



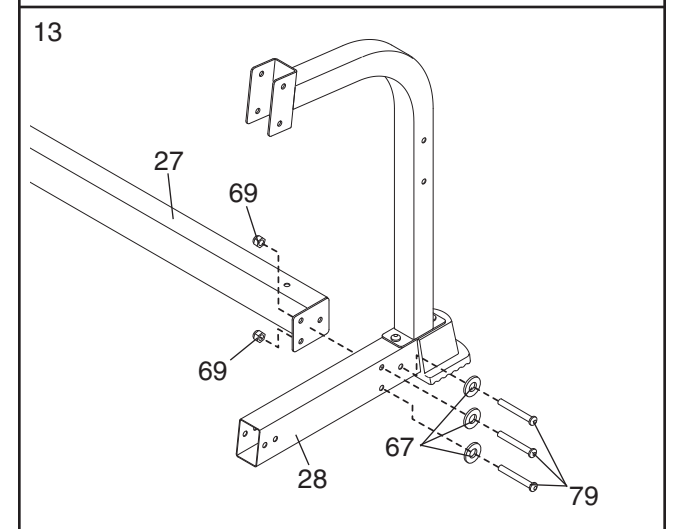
- Attach a Base Cap (9) and a Rear Support (29) to the Base (28) with two M10 x 93mm Button Bolts (48), an M10 Washer (67), an M10 Nylon Locknut (69), an M10 Nylon Jamnut (26), and an M4 x 16mm Screw (58).

Repeat this step with the other Base (28) and Rear Support (29).



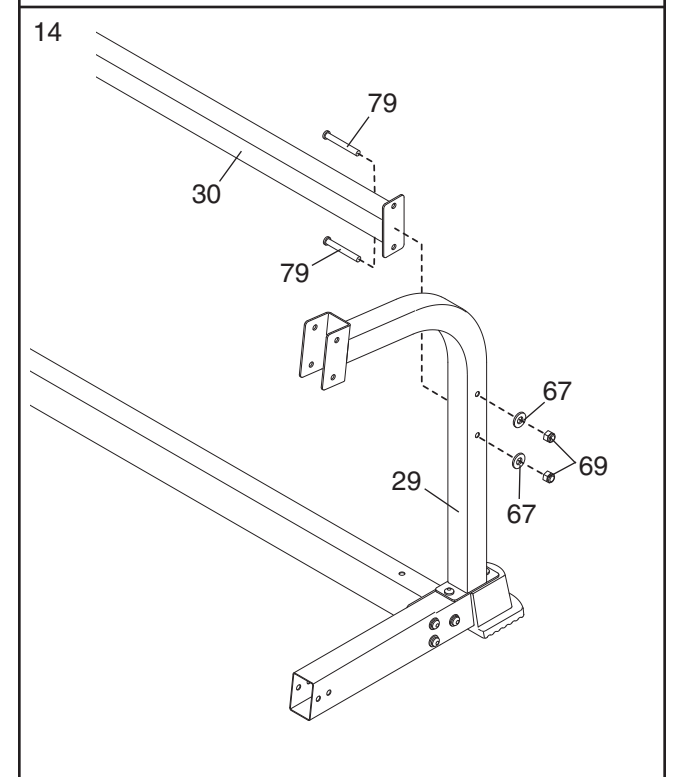
- Attach a Base (28) to the Center Base (27) with three M10 x 68mm Button Bolts (79), three M10 Washers (67), and two M10 Nylon Locknuts (69). **Do not tighten the Locknuts yet.**

Attach the other Base (28) to the Center Base (27) in the same manner.



- Attach the Crossbar (30) to a Rear Support (29) with two M10 x 68mm Button Bolts (79), two M10 Washers (67), and two M10 Nylon Locknuts (69). **Do not tighten the Locknuts yet.**

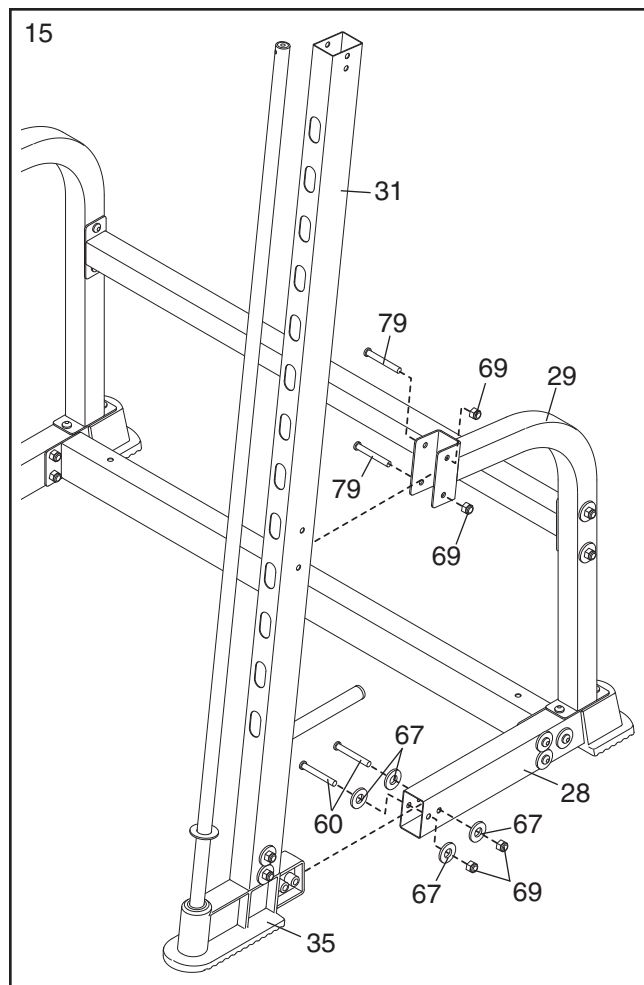
Attach the Crossbar (30) to the other Rear Support (29) in the same manner.



15. Using a rubber mallet, tap the left Rack Foot (35) into the indicated Base (28). Attach the Foot to the Base with two M10 x 65mm Button Bolts (60), four M10 Washers (67), and two M10 Nylon Locknuts (69). **Do not tighten the Locknuts yet.**

Attach the Left Upright (31) to the Rear Support (29) with two M10 x 68mm Button Bolts (79) and two M10 Nylon Locknuts (69). **Do not tighten the Locknuts yet.**

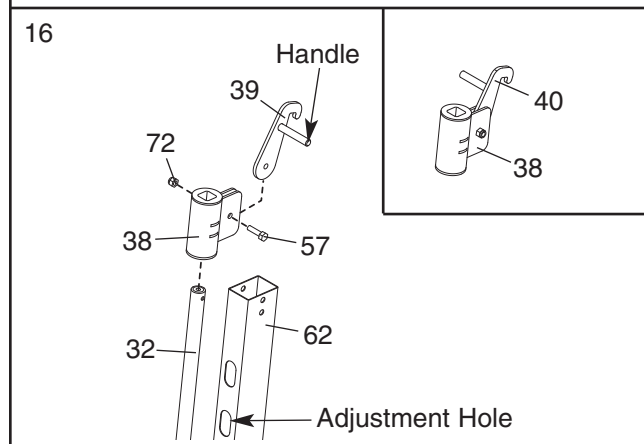
Attach the right Rack Foot (not shown) and Right Upright (not shown) in the same manner.



16. Attach the Right Spotter Hook (39) to a Safety Spotter (38) with an M8 x 12mm Shoulder Bolt (57) and an M8 Nylon Locknut (72). **Make sure the bolt head is on the same side as the handle.**

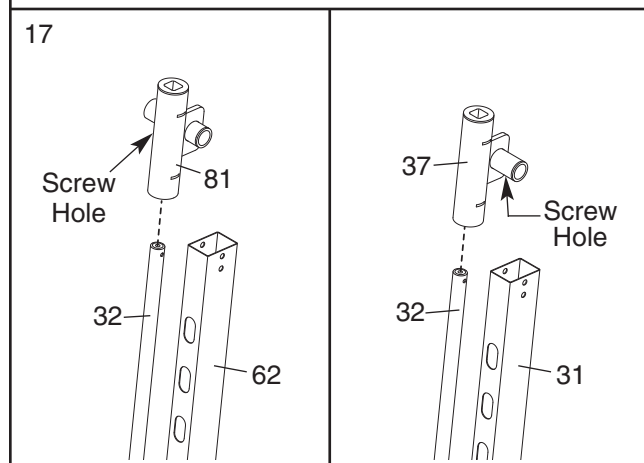
Slide the Safety Spotter (38) onto the right Guide Bar (32) and engage the Right Spotter Hook (39) into an adjustment hole near the bottom of the Right Upright (62).

Assemble the Left Spotter Hook (40) and a Safety Spotter (38) in the same manner.



17. Identify the Left and Right Barbell Gliders (37, 81) by the position of the screw holes.

Slide each Barbell Glider (37, 81) onto the Guide Bar (32) next to the indicated Upright (31, 62). **Make sure the Barbell Gliders are oriented as shown.**

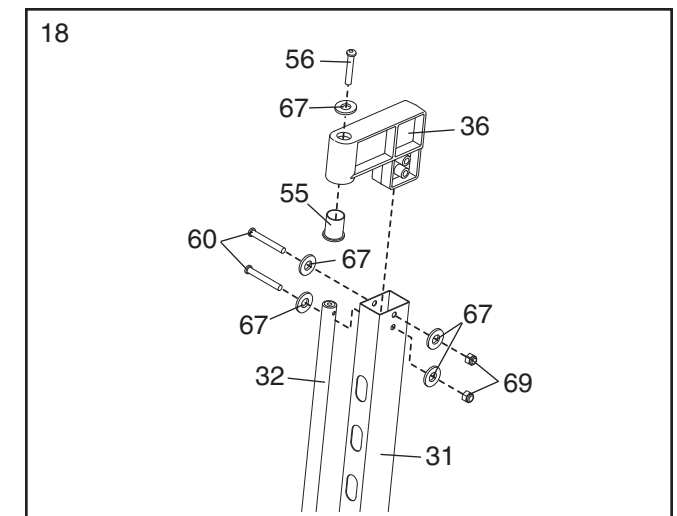


18. Press a Top Bracket Bushing (55) into the Top Bracket (36). Use a rubber mallet and tap the Top Bracket onto the Left Upright (31) and the Guide Bar (32).

Attach the Top Bracket (36) to the Left Upright (31) with two M10 x 65mm Button Bolts (60), four M10 Washers (67), and two M10 Nylon Locknuts (69). **Do not tighten the Locknuts yet.**

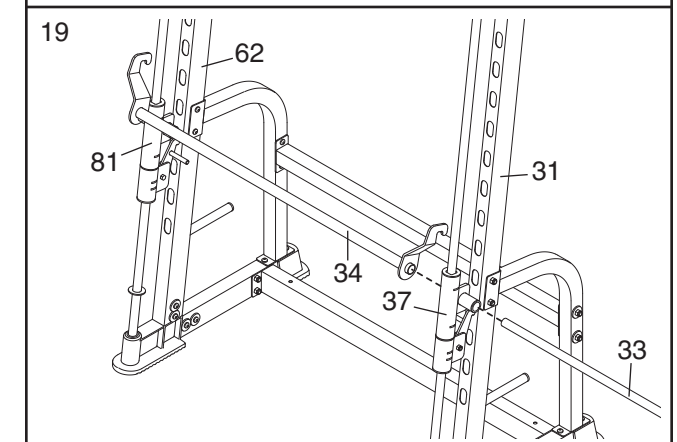
Attach the Top Bracket (36) to the Guide Bar (32) with an M10 x 30mm Button Screw (56) and an M10 Washer (67).

Assemble the other Top Bracket (36) in the same manner.



19. Slide the Weight Bar (33) through the Left Barbell Glider (37), the Locking Bar (34), and the Right Barbell Glider (81). **Make sure the Locking Bar is oriented as shown.**

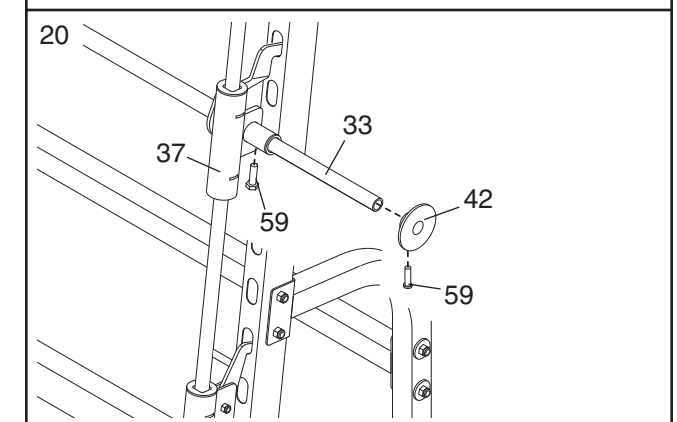
Engage the hooks on the Locking Bar (34) into a set of holes in the Uprights (31, 62).



20. Slide a Weight Stop (42) onto the Weight Bar (33). Thread a 1/4" x 14mm Button Screw (59) into the Weight Stop and the hole in the Weight Bar. **Do not tighten the Screws yet.**

Thread a 1/4" x 14mm Button Screw (59) into the Left Barbell Glider (37).

Repeat this step with the Right Barbell Glider (not shown) and the other Weight Stop (not shown).

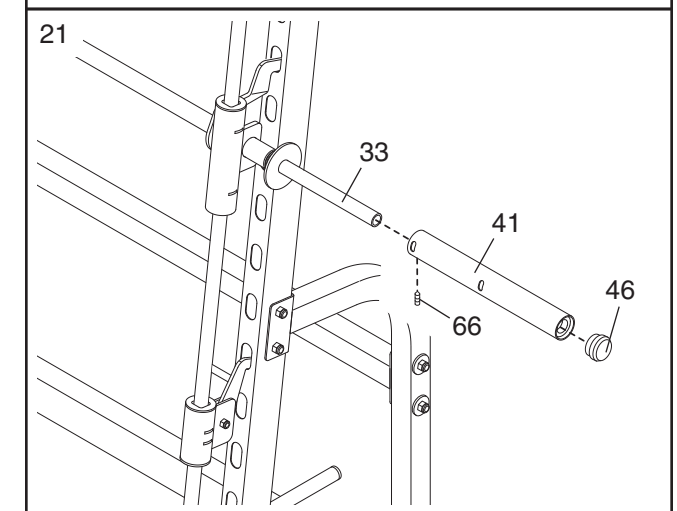


21. Press a 48mm Tapered Inner Cap (46) into a Barbell Adapter (41).

Slide a Barbell Adapter (41) onto the Weight Bar (33). Thread a 1/4" x 9.5mm Allen Head Set Screw (66) into the Barbell Adapter. **Do not tighten the Screw yet.**

Repeat this step with the other Barbell Adapter (not shown).

Tighten the M10 Nylon Locknuts (69) used in steps 11–21. Tighten the 1/4" x 14mm Button Screws (59) and 1/4" x 9.5mm Allen Head Set Screw (66) used in steps 20 and 21.



PART LIST—Model No. PFEVBE3805.0

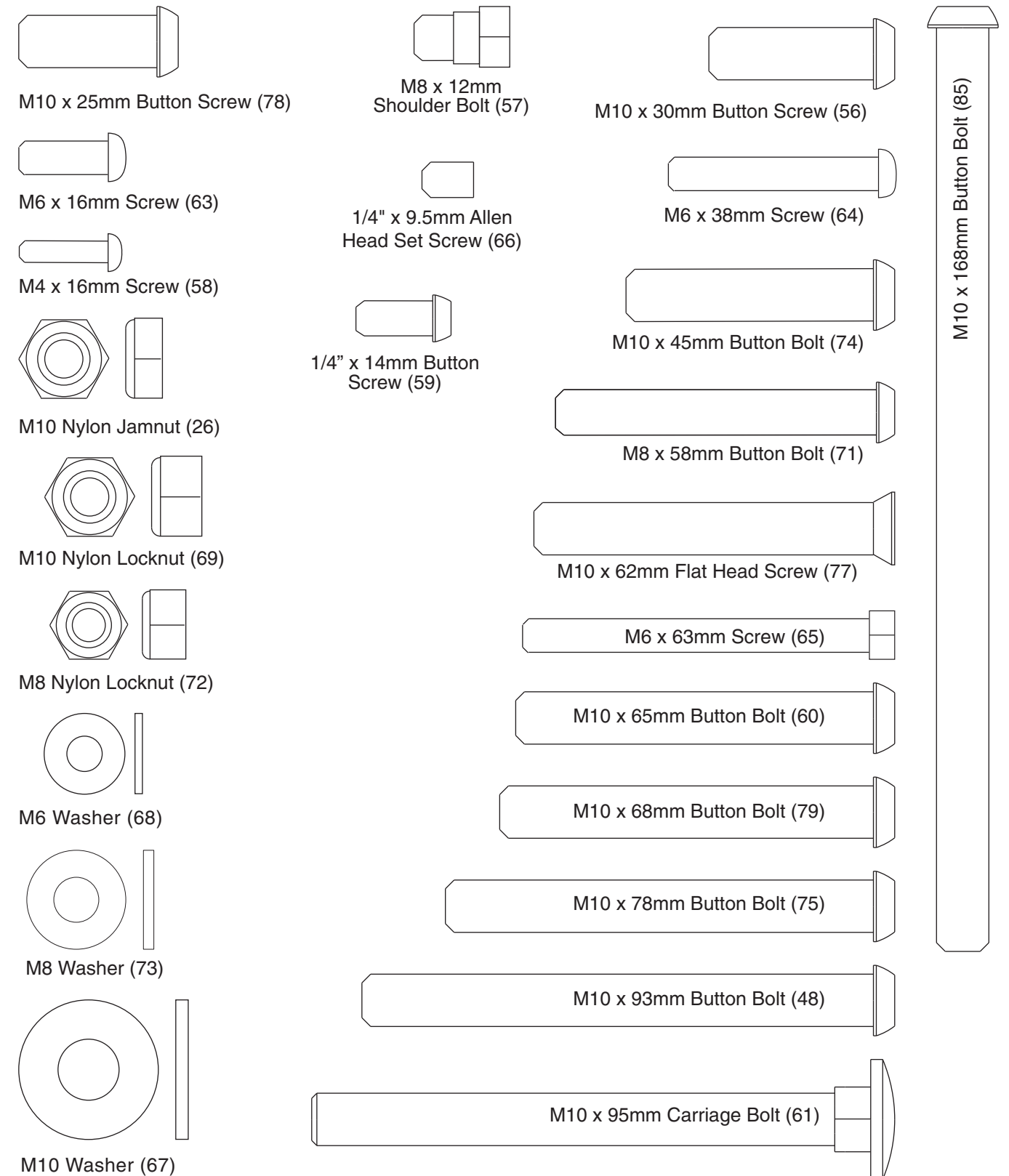
R1005A

Key No.	Qty.	Description	Key No.	Qty.	Description
1	1	Bench Frame	47	1	Curl Bar
2	1	Stabilizer	48	4	M10 x 93mm Button Bolt
3	1	Bench Leg	49	2	Weight Adapter
4	1	Leg Lever	50	2	Pad Tube
5	1	Curl Post	51	4	Large Foam Pad
6	2	Backrest Tube	52	2	Small Foam Pad
7	1	Leg Lever Bracket	53	6	19mm Square Inner Cap
8	1	Adjustment Lever	54	1	Tube Sleeve
9	4	Base Cap	55	2	Top Bracket Bushing
10	1	Backrest Bracket	56	4	M10 x 30mm Button Screw
11	1	Weight Tube	57	2	M8 x 12mm Shoulder Bolt
12	1	Backrest	58	6	M4 x 16mm Screw
13	1	Seat	59	4	1/4" x 14mm Button Screw
14	1	Curl Pad	60	12	M10 x 65mm Button Bolt
15	1	Olympic Adapter	61	2	M10 x 95mm Carriage Bolt
16	3	48mm Round Inner Cap	62	1	Right Upright
17	2	50mm Square Inner Cap	63	4	M6 x 16mm Screw
18	1	Notched Square Inner Cap	64	4	M6 x 38mm Screw
19	4	25mm Square Inner Cap	65	1	M6 x 63mm Screw
20	6	25mm Round Inner Cap	66	5	1/4" x 9.5mm Allen Head Set Screw
21	1	Handgrip			Screw
22	1	Curl Knob	67	50	M10 Washer
23	2	Small Round Bushing	68	5	M6 Washer
24	1	Curl Bushing	69	41	M10 Nylon Locknut
25	1	10mm Spacer	70	1	Bumper
26	2	M10 Nylon Jamnut	71	1	M8 x 58mm Button Bolt
27	1	Center Base	72	3	M8 Nylon Locknut
28	2	Base	73	2	M8 Washer
29	2	Rear Support	74	4	M10 x 45mm Button Bolt
30	1	Crossbar	75	1	M10 x 78mm Button Bolt
31	1	Left Upright	76	1	"L"-bracket
32	2	Guide Bar	77	1	M10 x 62mm Flat Head Screw
33	1	Weight Bar	78	2	M10 x 25mm Button Screw
34	1	Locking Bar	79	21	M10 x 68mm Button Bolt
35	2	Rack Foot	80	1	Small Base Cap
36	2	Top Bracket	81	1	Right Barbell Glider
37	1	Left Barbell Glider	82	1	Long Pad Tube
38	2	Safety Spotter	83	2	Small Weight Clip
39	1	Right Spotter Hook	84	2	Large Weight Clip
40	1	Left Spotter Hook	85	1	M10 x 168mm Button Bolt
41	2	Barbell Adapter	86	1	Thin Notched Square Inner Cap
42	2	Weight Stop	#	1	User's Manual
43	8	Glider Bushing	#	1	Exercise Guide
44	4	Weight Bar Glider Bushing	#	1	Grease Pack
45	2	Round Angled Bushing	#	2	Allen Wrench
46	2	48mm Tapered Inner Cap			

Note: "#" indicates a non-illustrated part. Specifications are subject to change without notice. See the back cover of the user's manual for information about ordering replacement parts.

PART IDENTIFICATION CHART

This chart is provided to help you identify the small parts used in assembly. The number in parenthesis below each part refers to the key number of the part from the PART LIST in the center of this manual. **Important: Some parts may have been pre-assembled for shipping purposes. If a part is not in the parts bag, check to see if it has been pre-attached.**



EXPLODED DRAWING—Model No. PFEVBE3805.0

R1005A

